

FIG. 1

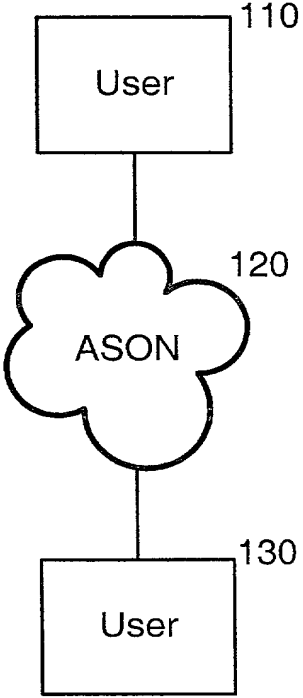


FIG 1 100

Copyright © 2004 by Cisco Systems, Inc.

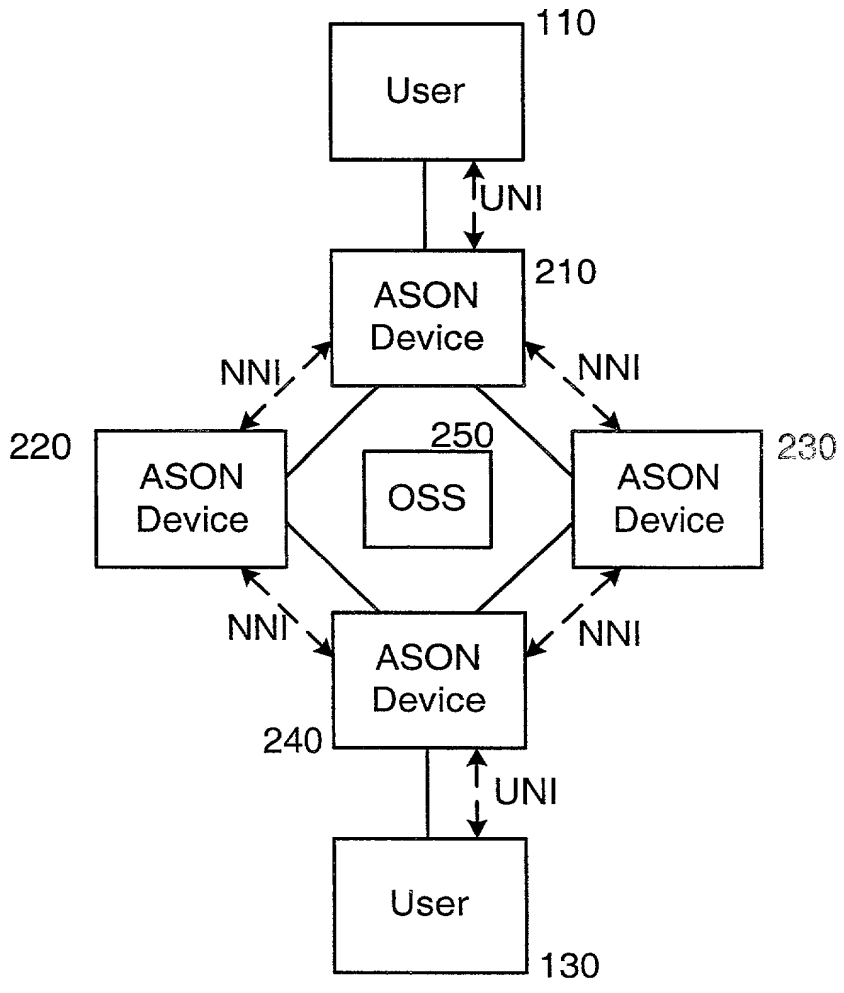


FIG. 2

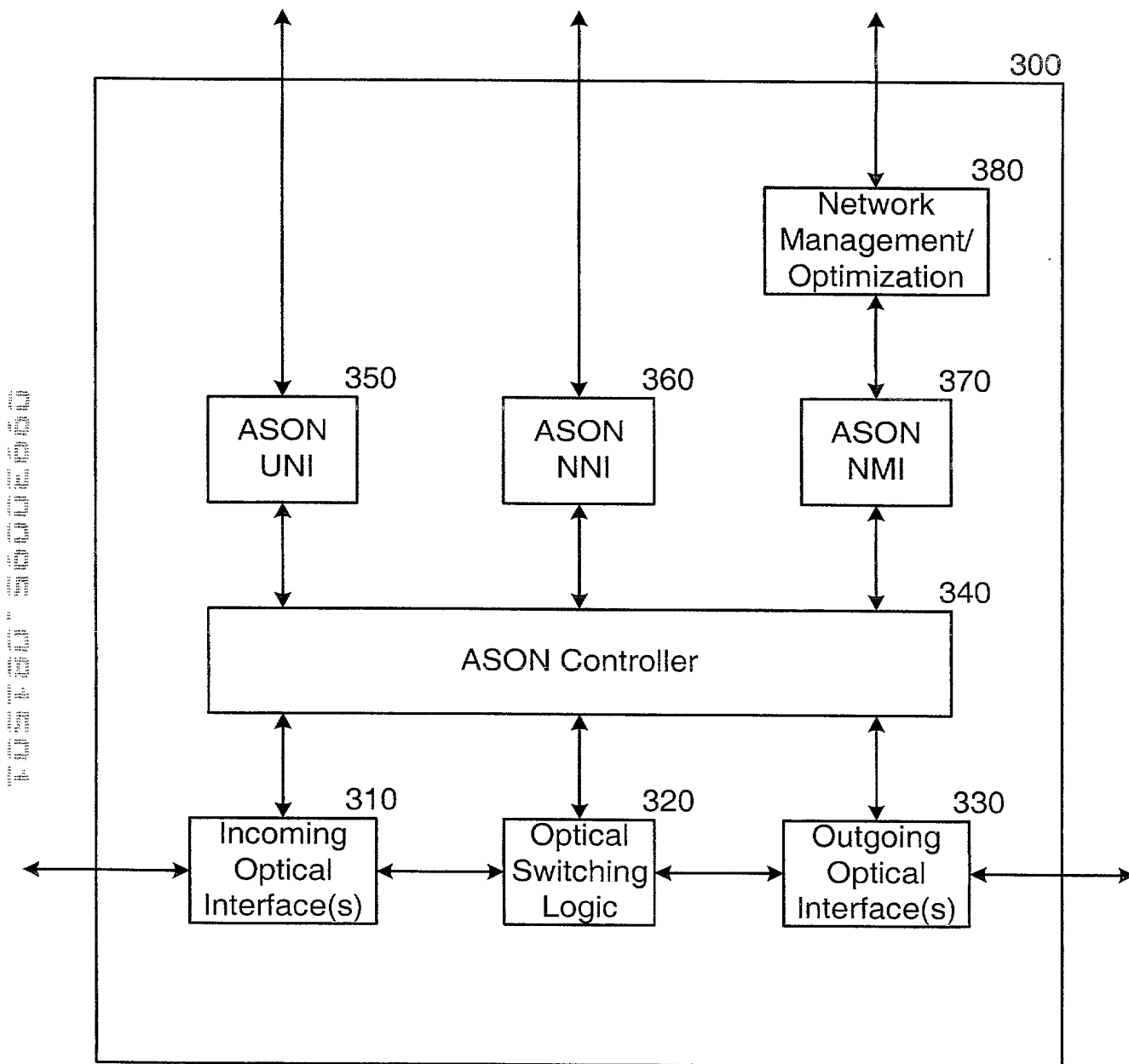


FIG. 3

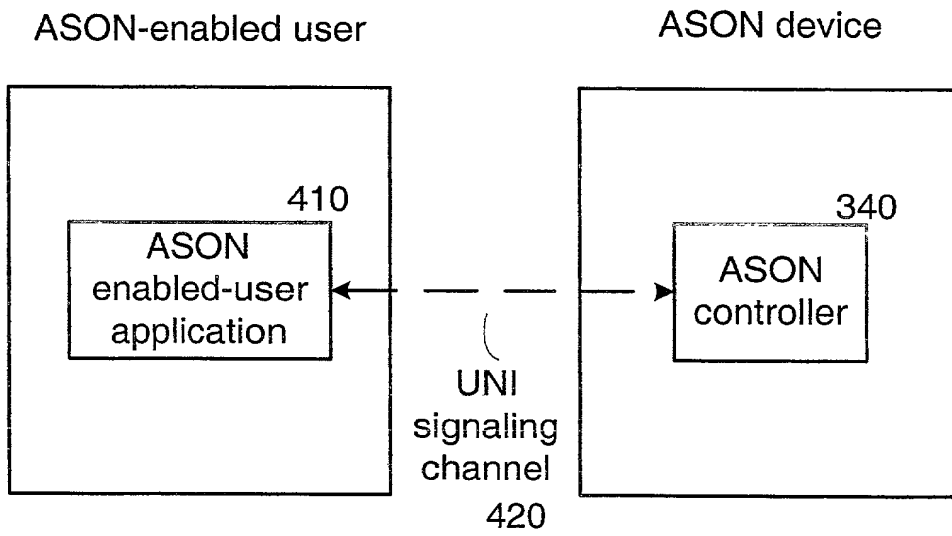


FIG. 4

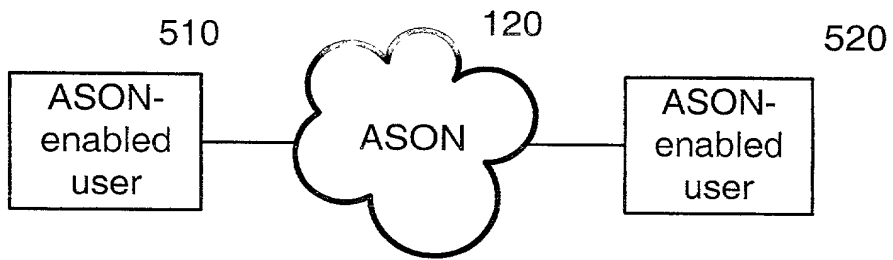


FIG. 5 500

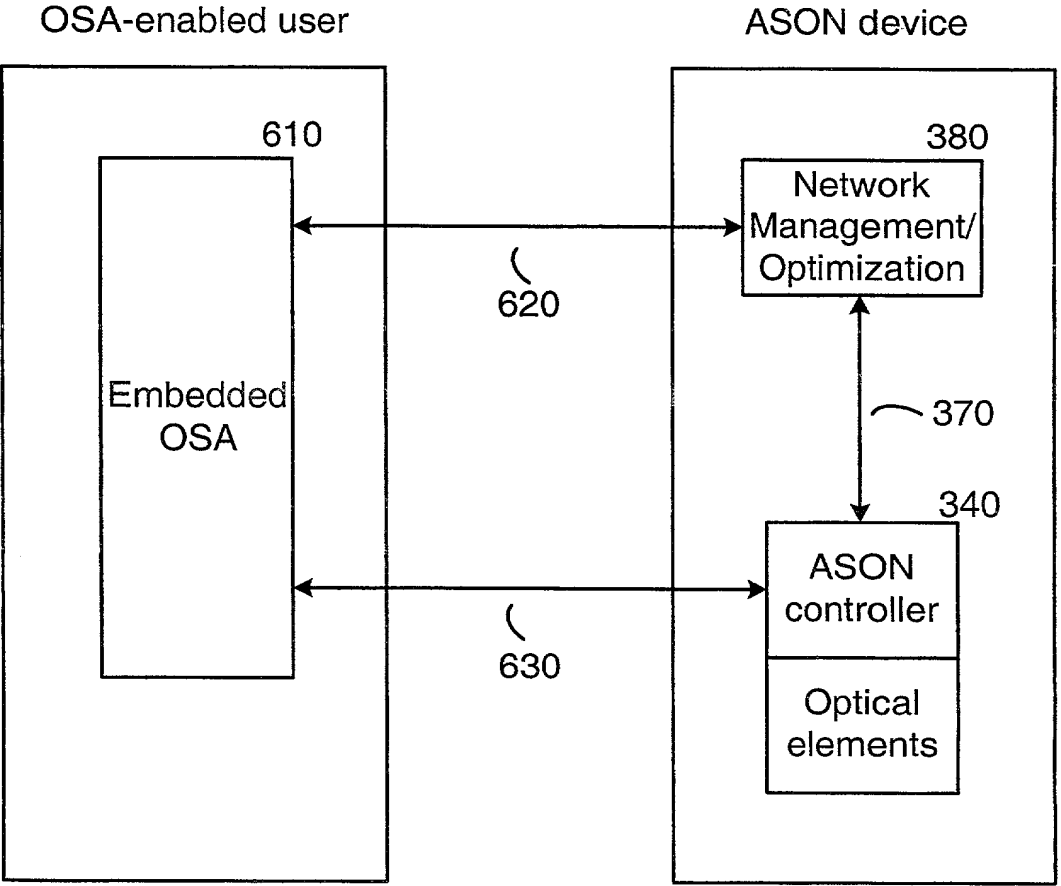


FIG. 6

Patent Application No. 2004/0100000

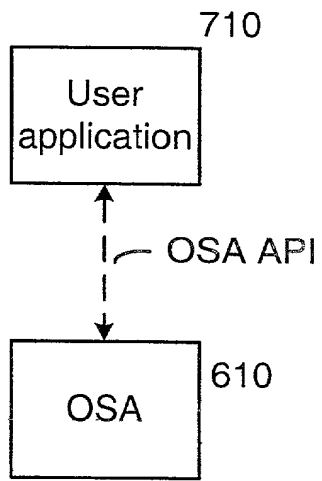


FIG. 7

Patent 4,511,000

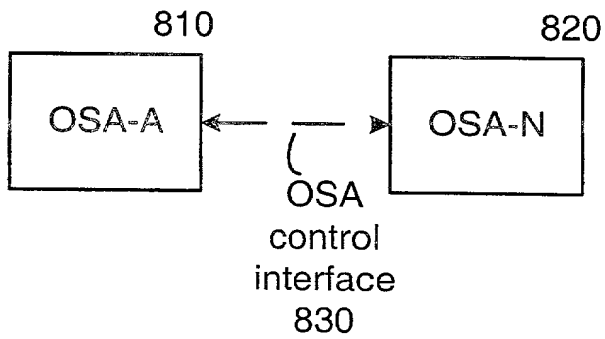


FIG. 8 810



FIG. 9

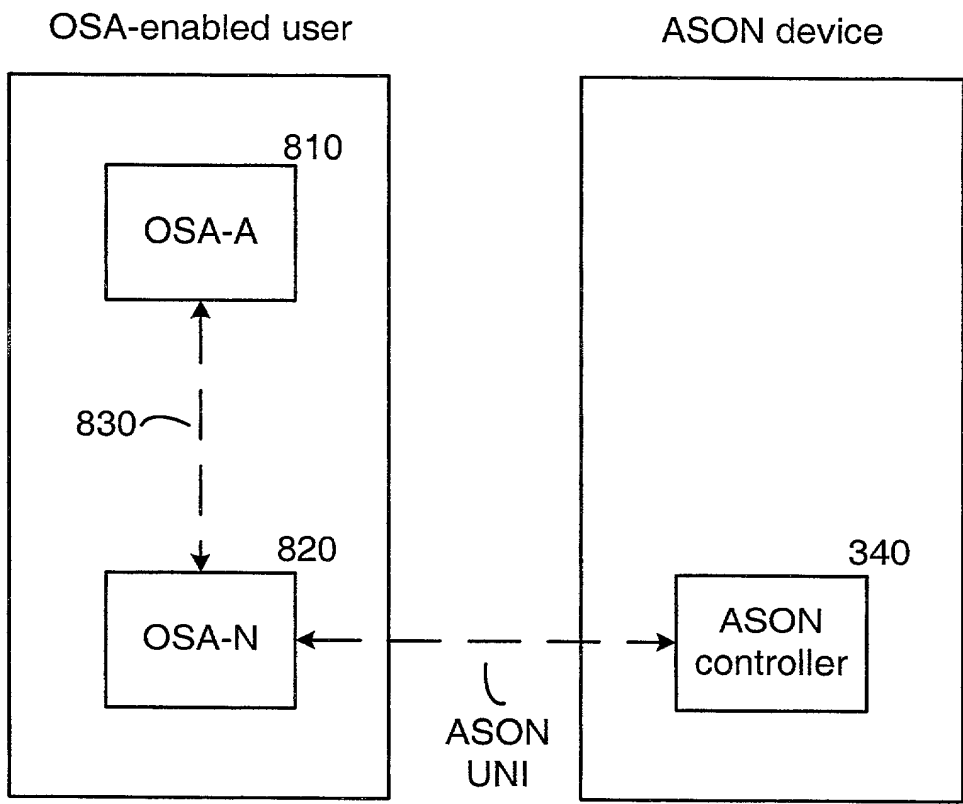


FIG. 9

FIG. 10

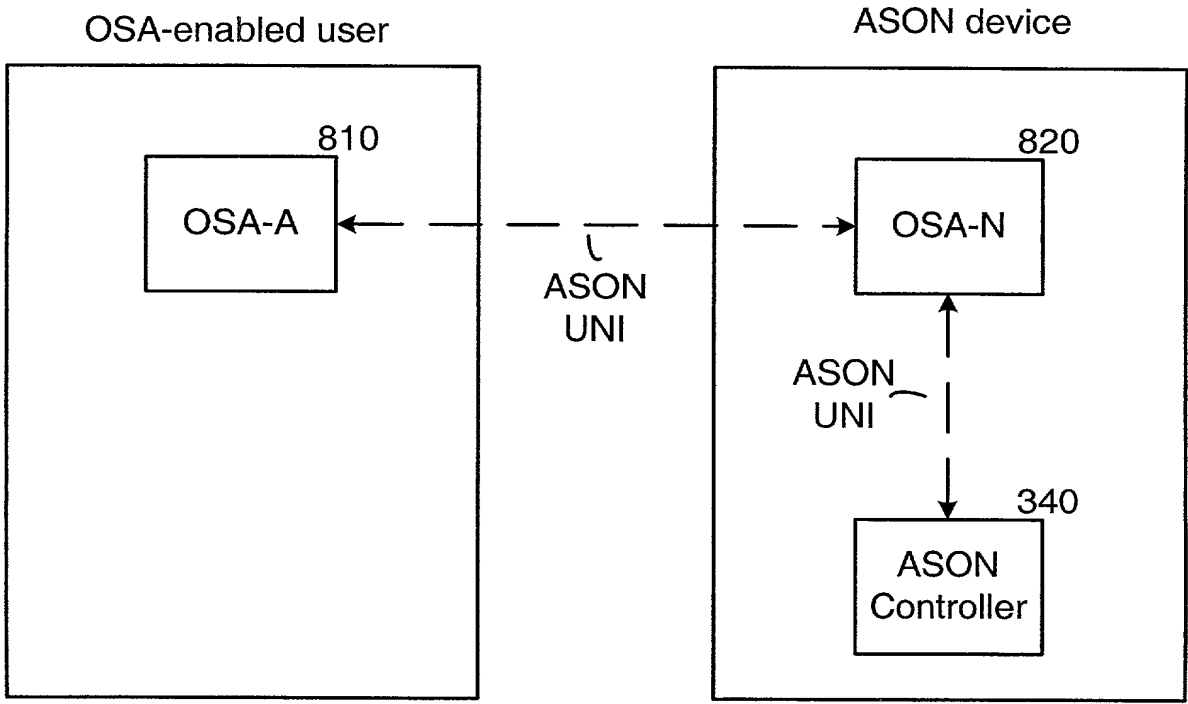


FIG. 10

FIG. 11

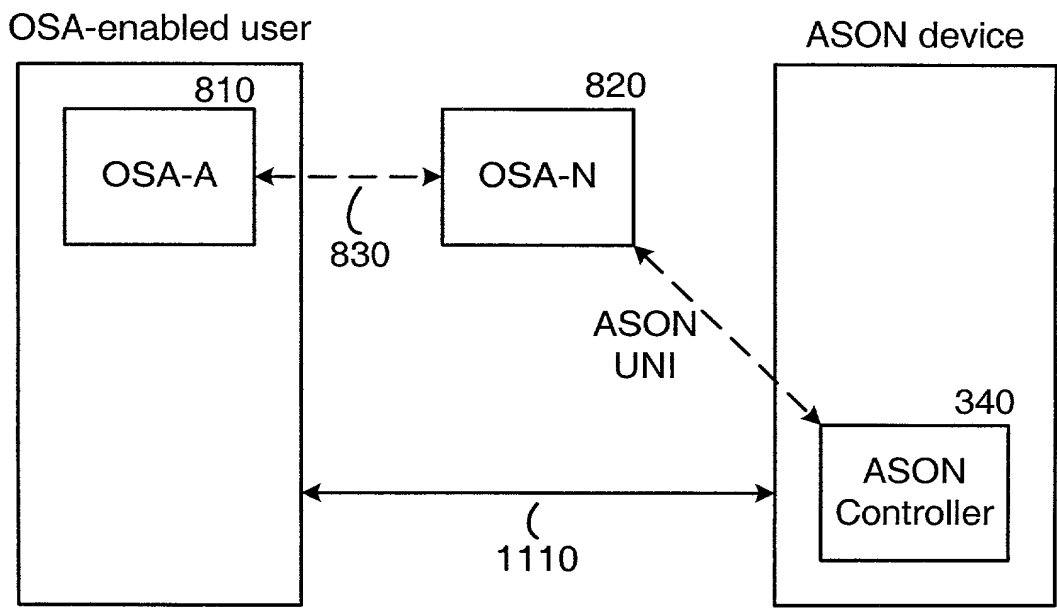


FIG. 11

Patent Application No. 2004/0100000

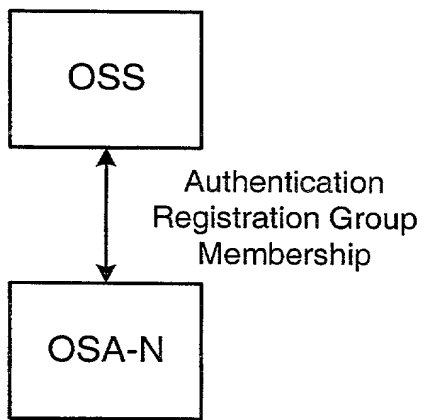


FIG. 12

FIG. 13

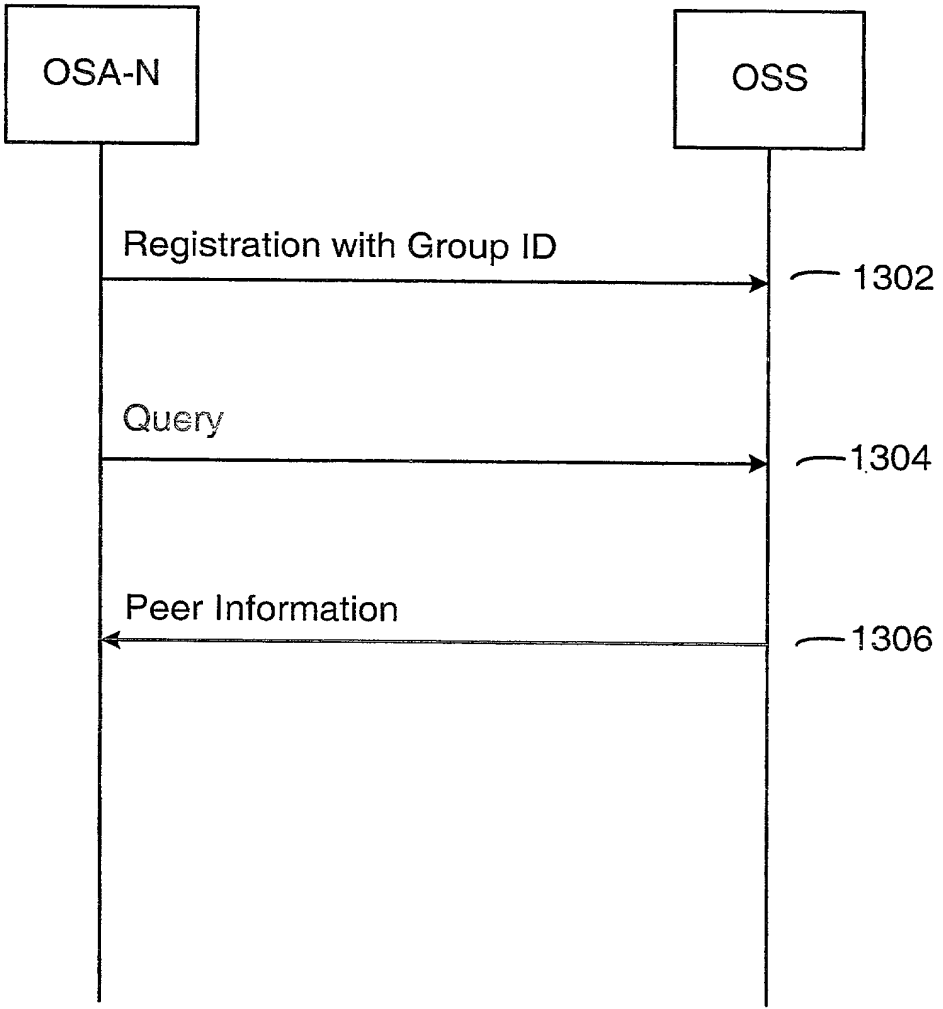


FIG. 13

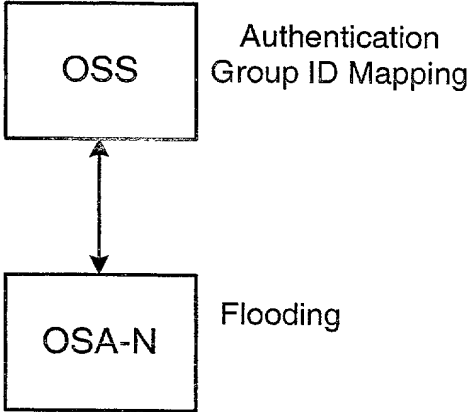


FIG. 14

FIG. 15

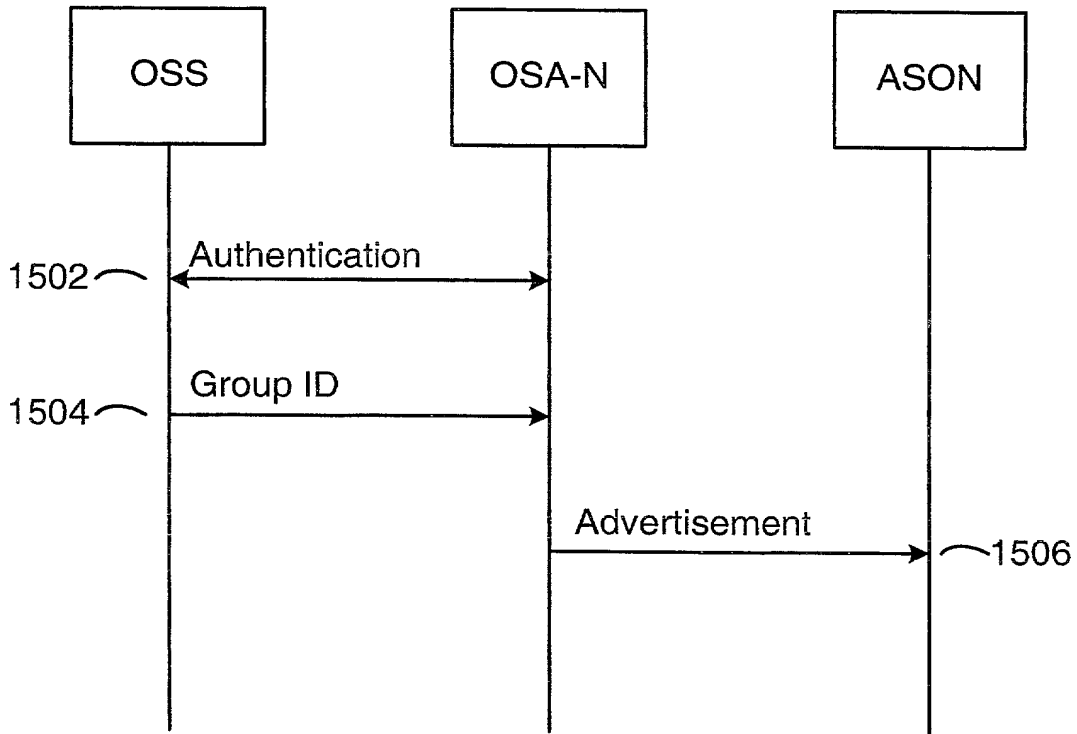


FIG. 15

Patent and Confidential

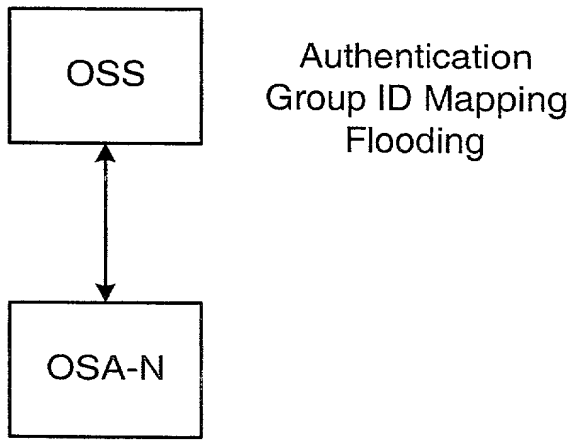


FIG. 16



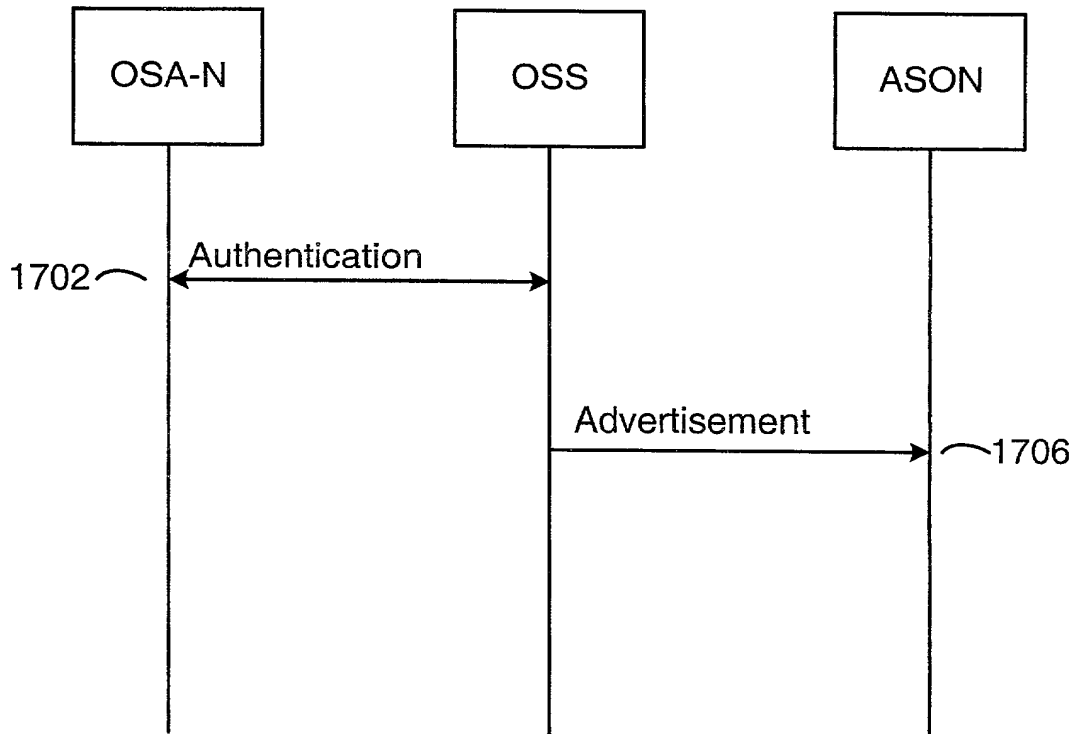


FIG. 17

FIG. 18 1800

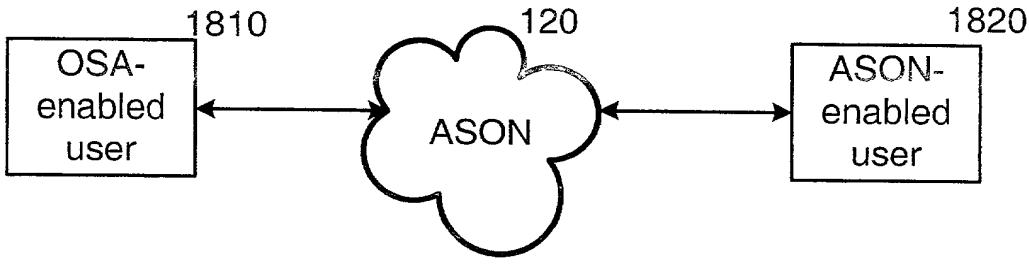


FIG. 18 1800

1900 1910 1920

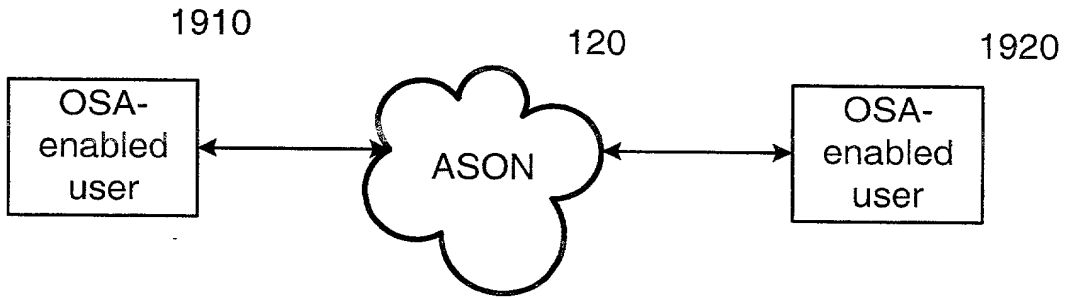


FIG. 19 1900

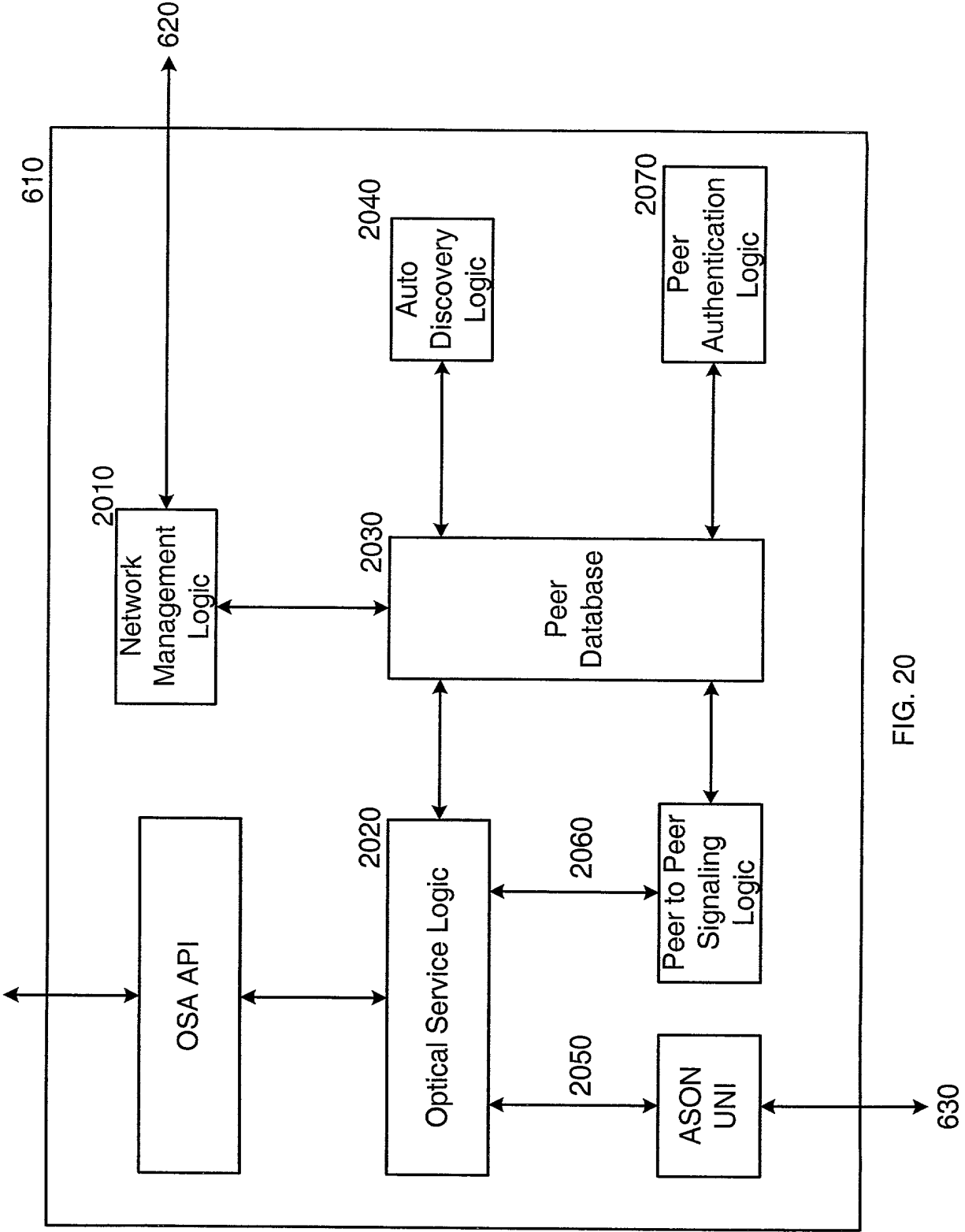


FIG. 20

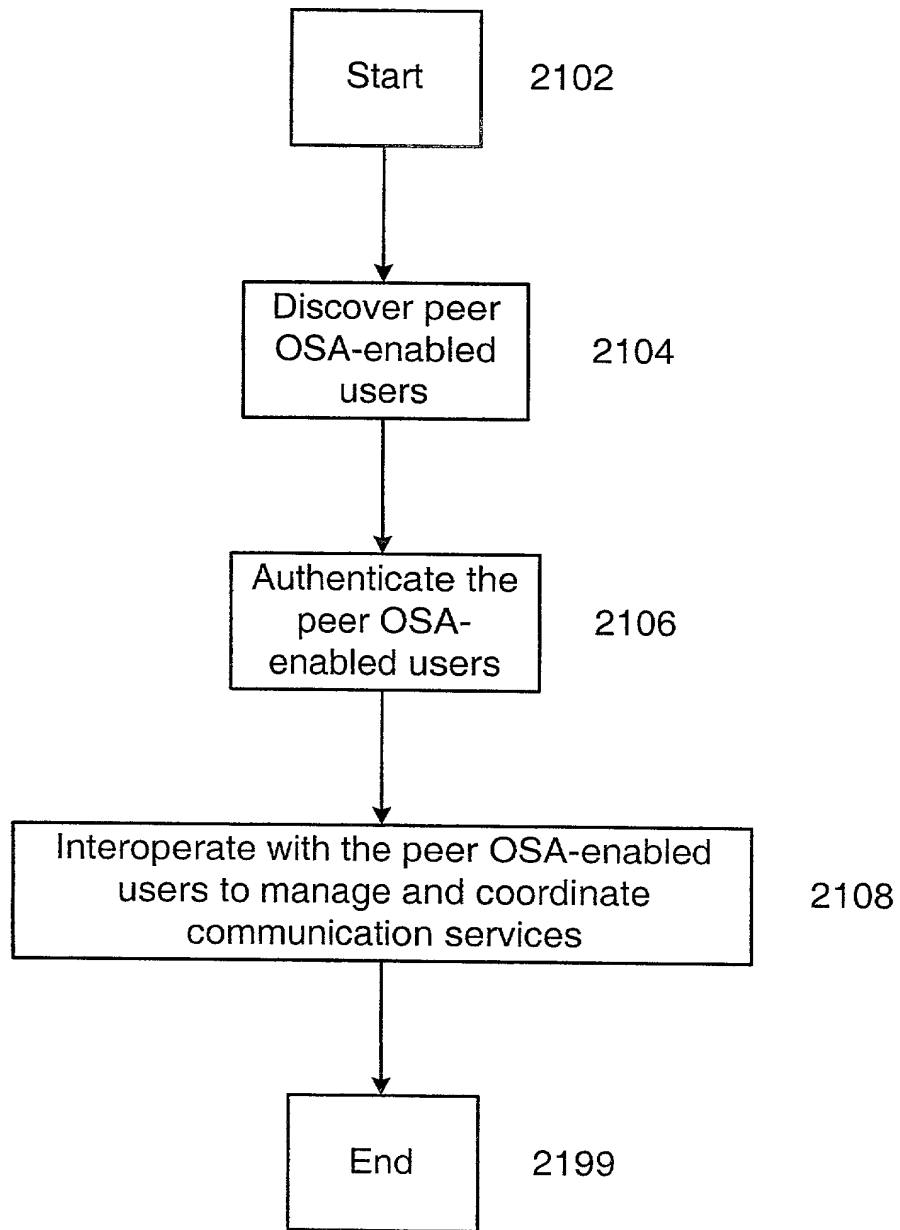


FIG. 21 2100

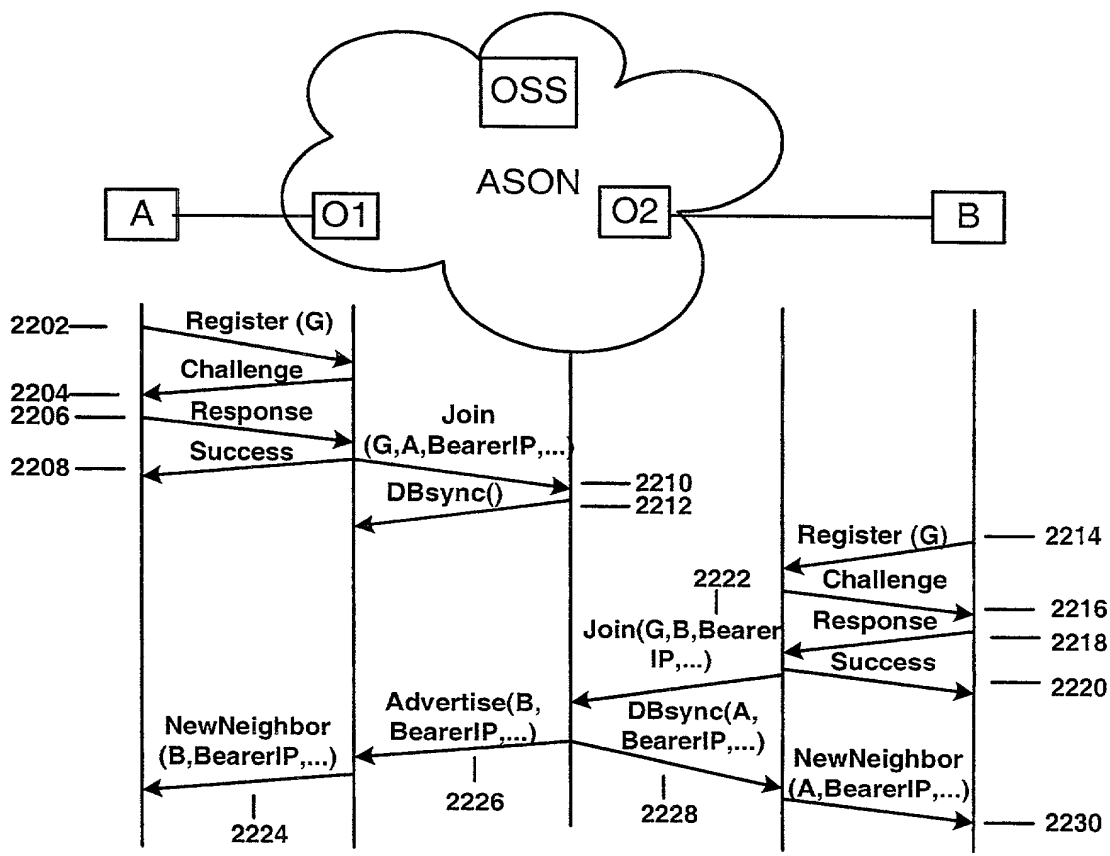


FIG. 22

FIG. 23

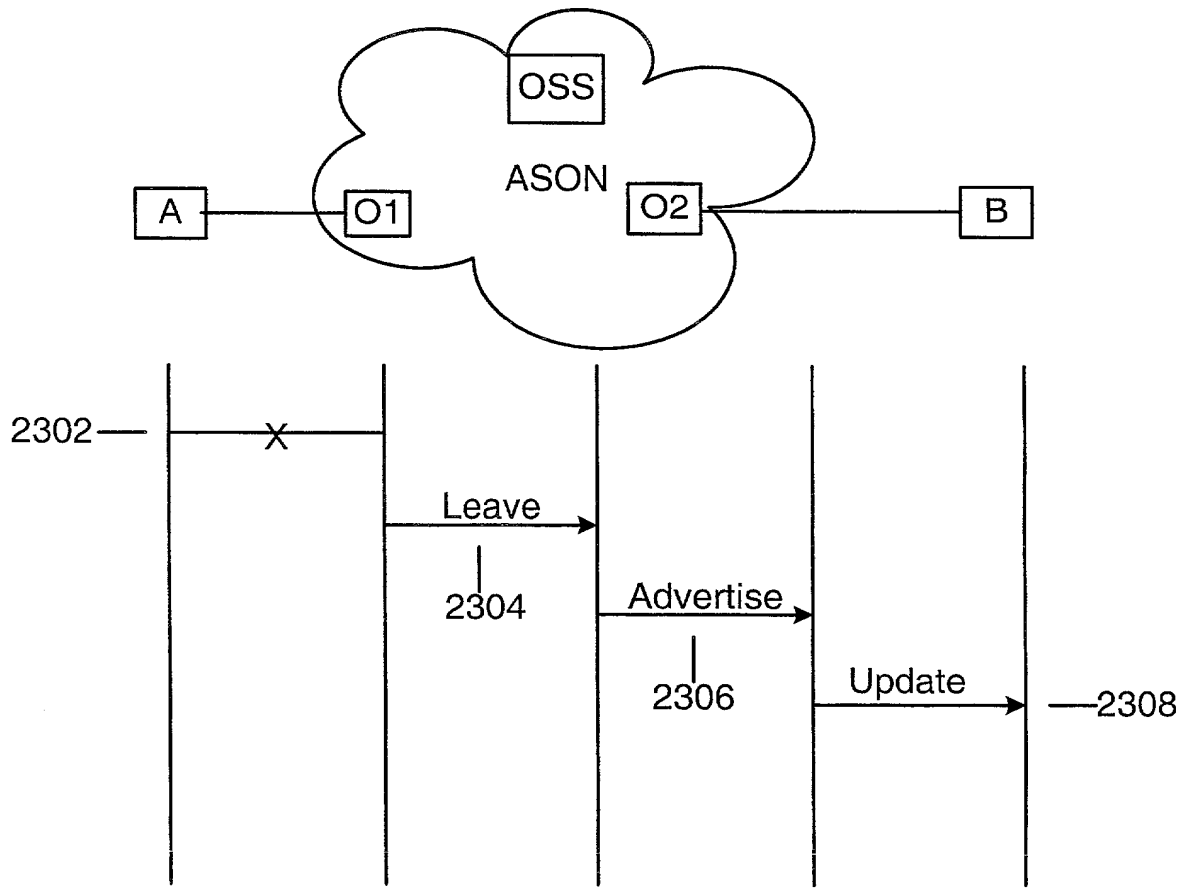


FIG. 23

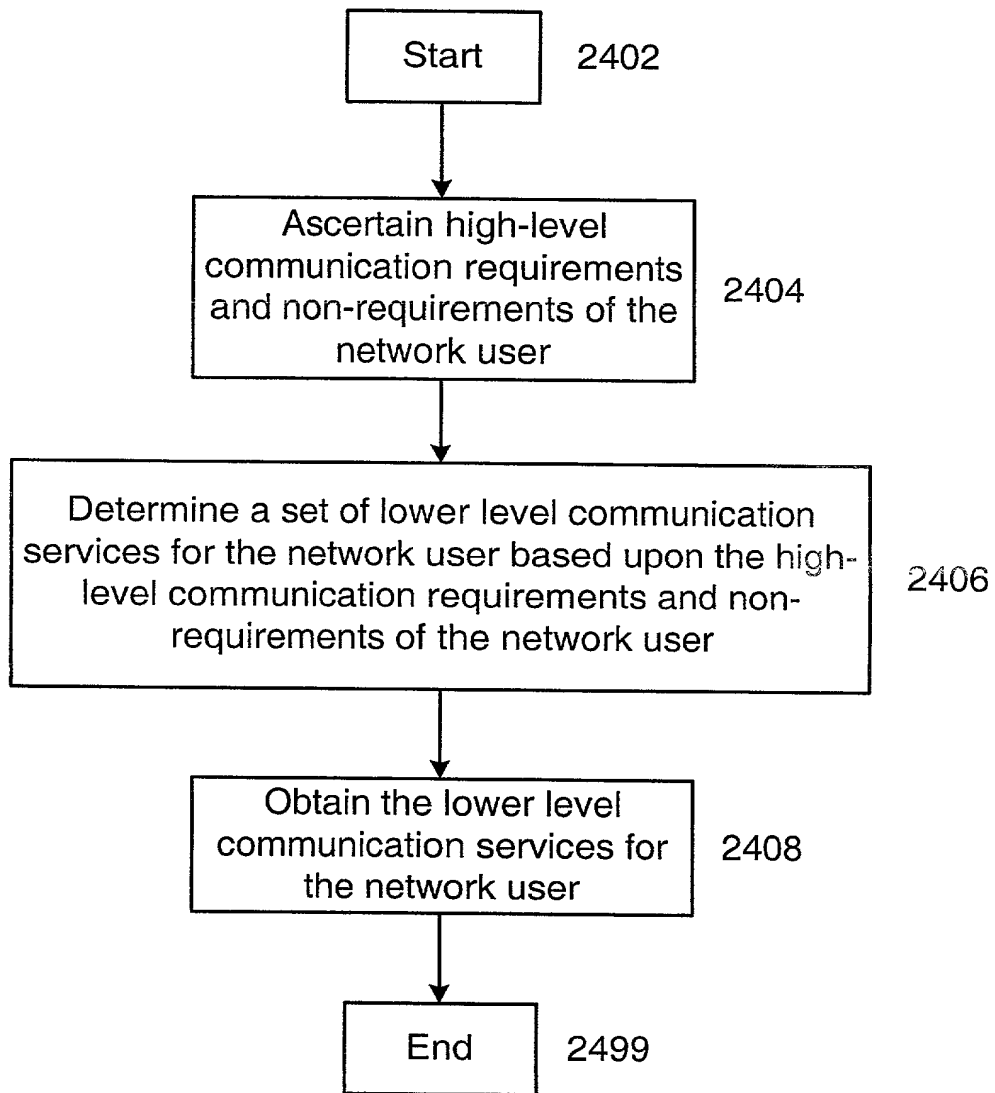


FIG. 24 2400